

Submittal Data

phantomSchwank STP Series

Low-Intensity Two-Stage Gas-Fired Outdoor Infrared Tube Heater

Project

Schwank models #

Fuel

Date submitted

Features

Approvals / Certificates

UL Certification.

Warranty; 10-year tube & burner cup, 3-year components.

Burner/Motor

Motor: 24VDC power for the high-efficiency ECM blower.

Housing: The bottom folds away, providing access from the bottom.

Transformer

120/24VAC; 20VA

Safety Switch

One Differential Pressure Switch Senses Adequate Combustion Air And Blocked Flue.

Electrical Cord

4' (1.2m) length 16/3 electrical supply cord with 3 pin grounded plug.

Gas connection included

USA: Flexible stainless steel gas connector required by code. 1/2" X 24". Order separately.

CANADA: Type 1 gas hose connector required by code. 1/2" X 30". Order separately.

Gas Valve

Honeywell 24 Volt Two-Stage.

Manifold pressure:

NG: 3.5" W.C. High/2.2" W.C. Low

LP: 10.0" W.C. High/5.0" W.C. Low

Line pressure:

NG: 5.0" — 14.0" W.C.

LP: 11.0" — 14.0" W.C.

Reflector

20 GA marine grade aluminum, with black powder coating finish. The aluminum reflector extends below the bottom of the tube surface.

Controls/Thermostat

- Smart Control App provides a wireless connection to the heater.
- Factory ready for 24VAC or 120VAC two-stage Line Voltage Thermostat.
- ThermoControlPlus.
- Schwank.ONE system control.



Read the I&O Manual

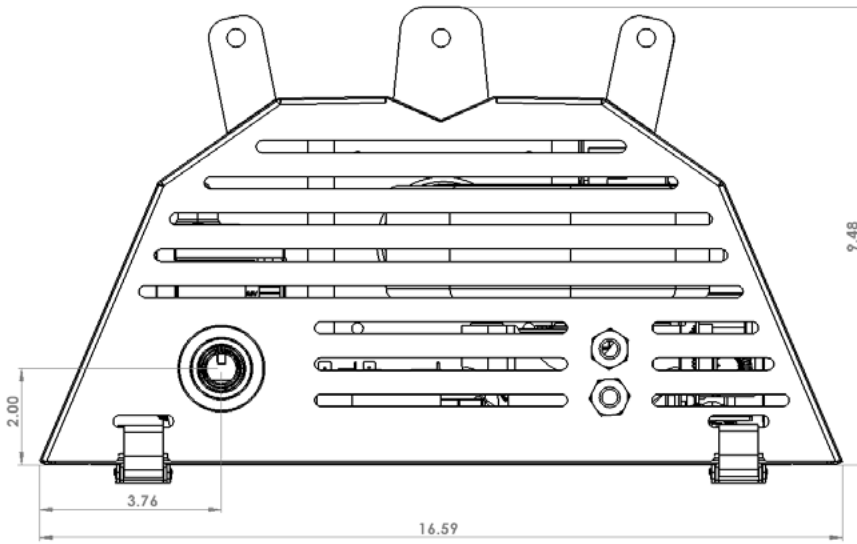
Performance

Tag	Qty	Model	Fuel type	High-Fire Input (BTU/h)	Low-Fire Input (BTU/h)	Line Pressure inch w.c. min/max	Manifold Pressure inch w.c. min/max	Conversion kit part number	Total heater length	Material	Weight (lbs)
		STP-TA05-10-BN	NG	50,000	35,000	5.0 / 14.0	2.2 / 3.5	JS-0554-LL-TP	12'	Marine-Grade Aluminum	95
		STP-TA08-10-BN	NG	80,000	60,000	5.0 / 14.0	2.2 / 3.5	JS-0554-NL-TP	12'		96
		STP-TA11-15-BN	NG	115,000	80,000	5.0 / 14.0	2.2 / 3.5	JS-0554-PL-TP	17'		127

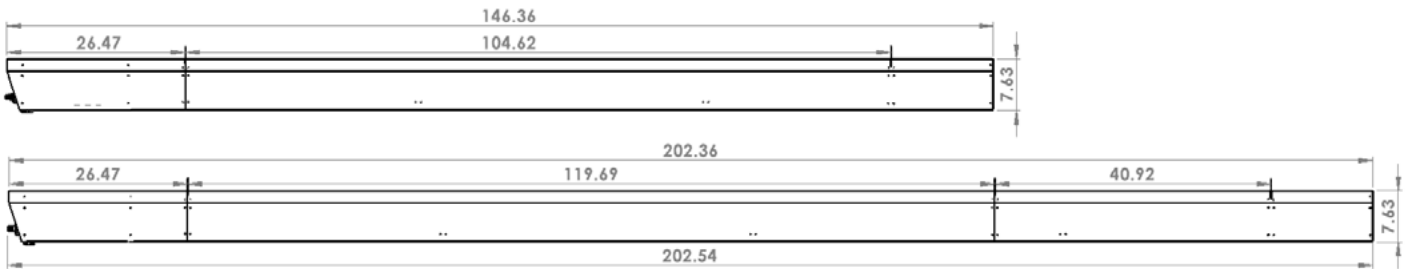
Note 1: NG model is offered standard for ordering. LP conversion kit is available to convert heater to LP model. LP model is NOT for ordering.

Note 2: Gas Inlet is 1/2" NPT & Electrical is 120V-60Hz, 145 VA.

Dimensions



Side-view of systems:



Clearance to Combustibles:

The clearance to combustible material represents the minimum distance that must be maintained between the heater and a nearby combustible surface. The stated clearance to combustibles represents a surface temperature of 90°F (50°C) above room temperature. Some materials, such as awnings or plastic, may require higher clearances. It is the installer’s responsibility to ensure that building materials with a low heat tolerance, which may degrade at lower temperatures, are protected to prevent degradation.

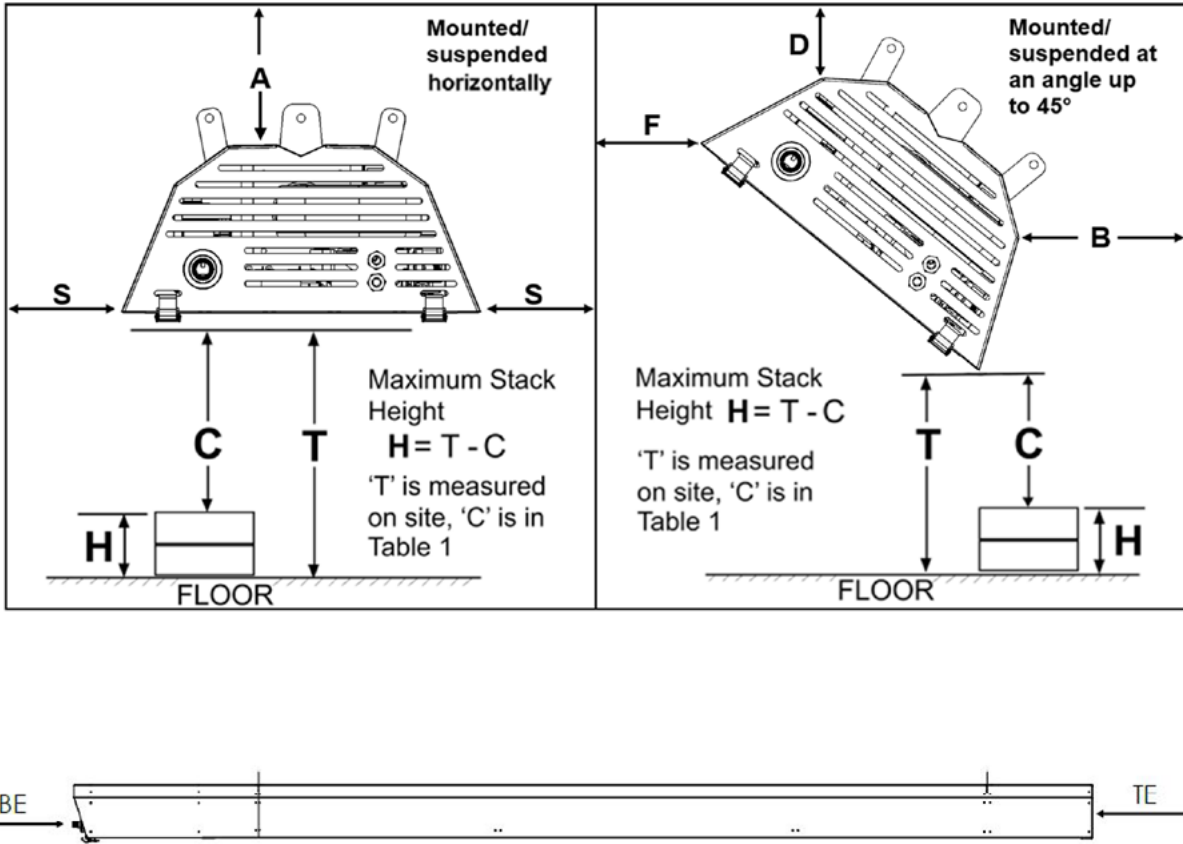


Table 1A: Minimum Clearances to Combustibles

MODEL Input Rate (BTU/h)	SUSPENDED HORIZONTALLY				SUSPENDED AT AN ANGLE UP TO 45 DEGREES			BURNER-END	TUBE-END
	A	S	C	D	B	F	C	BE	TE
Inches									
50,000	4	20	42	4	3	40	44	24	48
80,000	5	24	62	5	3	54	60	24	48
115,000	5	26	4	5	3	62	70	24	48

