

eSchwank Ghost Series

Sell Sheet

The eSchwank Ghost Series electric heater an invisible presence with visible warmth, nearly invisible design. Equipped with a durable carbon fiber heating element, this eco-friendly heater ensures efficient heating for both indoor and outdoor spaces.



Carbon Fiber Heating Element

Offering a longer lifespan.

Improvement over quartz medium wavelength infrared.

Eco-Friendly

Zero emissions - no direct CO₂ or NO_x emissions.

Haunt Away the Cold

Engineered with medium wavelength infrared.

Fast even heating and rapid ramp-up.

Built with marine-grade aluminum and IP65 outdoor rated.

Discreet Design

Presence is almost invisible with a slim profile, and decorative front grille.

A powder-coated matte black finish.

Architectural aesthetic that seamlessly blends form and function.

Mounting with Adjustable Angles

Low ceiling clearance requirements of 6".

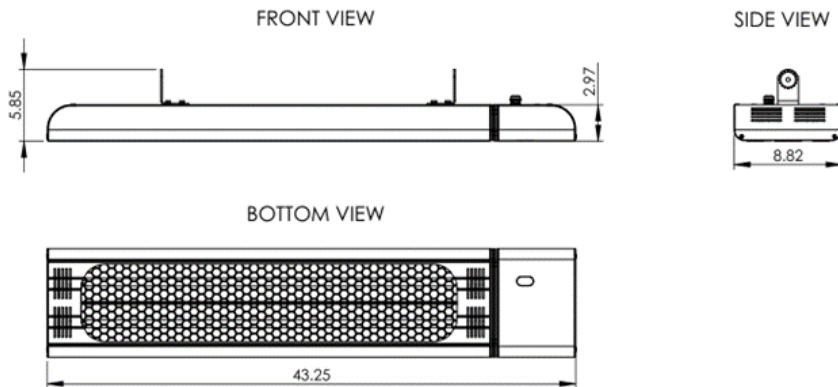
Flexible angle mounting options for ceiling and wall mount for optimal heat direction.

→ Features

- Electric Infrared
- Bulb: Carbon Fiber Element, Medium Wave
- Voltage: 208V / 240V ~1P
- Wattage: 3000/4000W, 4500/6000W
- Lengths: 43.25"
- Mounting heights: 8'-14'
- Warranty: 2-year
- Standard remote control offering

→ Dimensions and specifications

With a wide range of sizes and mounting options available, choose the ideal eSchwank Ghost Series model to use in your patio, or indoor/outdoor environment.



Model	L/ in	W/ in	H/ in
ESM-4043-24	43.25	8.82	2.97
ESM-6043-24			

Model	IP Rating	Phase	Voltage/V	Wattage/W	Current/A	Net weight	Gross Weight
ESM-4043-24	IP65	1P	240	4,000	16.67	13.0 lbs/ 5.9 kg	19.4 lbs/ 8.8 kg
			208	3,000	14.42		
ESM-6043-24	IP65	1P	240	6,000	25	13.0 lbs/ 5.9 kg	19.4 lbs/ 8.8 kg
			208	4,500	21.63		

→ Controls and Accessories

Control Types	Part #	Description	Electrical Voltage	Amps
Remote Control (Replacement)	JE-0605-XX	---	---	---
On/ Off Control	JM-4410-XX	Single - Flush Mount c/w Weatherproof Cover	208/240V	20 Max
	JM-4415-XX	Dual - Flush Mount c/w Weatherproof Cover	208/240V	20 Max
Solid State Relay Panel	JM-4052-XX	2 Relay Control Panel	208/240V	---
Zone Analog Controller	JM-4046-XX	2 Zone Analog Controller w/ Digital Timer	208/240V	---
Home Management Relay	JM-4062-XX	2 Relay Home Management Control Panel	208/240V	---

Note: For full listing of available accessories and controls, visit our website www.schwankgroup.com